

# JY-TECK A-TYPE LINE SPEED/TACHO METER SERIES

## FEATURES:

- \* DIN 48x96mm.,SHORT HOUSING, EASY ASSEMBLY OR MAINTENANCE.
- \* BRIGHT LED DISPLAY FOR OBVIOUS READING.
- \* TWO FACILITY (PRM/FEET/YARD/METER) WITHIN ONE METER.
- \* AUTO-RANGE SELECTION, EASY TO USE.
- \* BUILD-IN QUARTZ TIME-BASE CIRCUIT.
- \* DIGITAL CIRCUIT DESIGN, WITH HIGH PRECISION & HIGH STABILITY
- \* OVER-RANGE INDICATION OF SIGNAL.
- \* BROKEN-LINE INDICATION OF SIGNAL.
- \* SINGLE CHIP CPU I . C . FOR STEADY INDICATION AND ACCURACY.
- \* APPLY TO USE WITH NORMAL SENSOR FOR LOW COST.
- \* ROLLER DIAMETER AND PULSE / ROTARY ARE SETTLED ON FRONT PANEL.
- \* Hi / Lo TWO INDIVIDUAL TERMINAL FOR DIFFERENT LINESPEED SIGNAL IN-PUT.



## APPLICATIONS:

- \* HEATER.
- \* SPINNER.
- \* WIRE WINDER.
- \* PRINTER MACHINE.
- \* OTHER INDUSTRIAL EQUIPMENTS.

## SPECIFICATIONS:

|                        |  |
|------------------------|--|
| DISPLAY                | 0.56" HIGH RED LED DISPLAY.                          |
| ACCURACY               | ≤ 50ppm.   |
| MEASURING-RANGE        | 0.10~99999 (AUTO-RANGE)                              |
| MAX . IN-PUT FREQUENCY | +12V-p.  |
| IN-PUT TERMINAL        | IN-LOW SPEED :1~30 CPS<br>IN-HIGH SPEED :31~4500 CPS |
| RANGE SELECTION        | AUTO-RANGE   |
| OVER-RANGE INDICATION  | DISPLAY "HHHHH" OR "LLLLL" AND FLASHING.             |
| SIGNAL-OFF INDICATION  | DISPLAY "00000" AND FLASHING.                        |
| SENSOR BROKEN-LINE     | DISPLAY "12" AND FLASHING                            |
| TIME BASE              | 4.0 MHz .  |
| SAMPLING RATE          | 0.5 SECOND/1.0 SECOND/2.0 SECOND/AUTO                |
| POWER SOURCE           | AC110/220V ± 15% .50/60 Hz.                          |
| SENSOR POWER           | DC 12V /50mA.  |
| POWER CONSUMPTION      | ≤ 3.0 WATT.  |
| OPERATING TEMPERATURE  | 0~50 °C .  |
| OPERATING HUMIDITY     | 0~85 %.  |

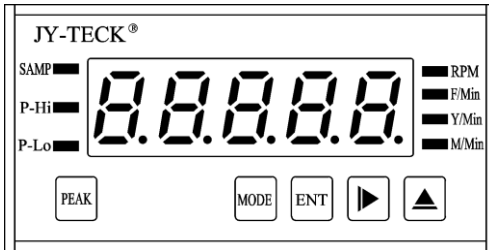
## SPECIFICATIONS(1):

| PART NO. | MEASURING  | RANGE             | RESOLUTION             |               |
|----------|------------|-------------------|------------------------|---------------|
| A445AP0D | TACHO      | 0.10~999.99 RPM   | 0.01 RPM               |               |
|          |            | 1000.0~9999.9 RPM | 0.1 RPM                |               |
|          |            | 10000~99999 RPM   | 1 RPM                  |               |
|          | LINE SPEED | M/Min             | 0.10~999.99 M/Min      | 0.01 M/Min    |
|          |            |                   | 1000.0~9999.9 M/Min    | 0.1 M/Min     |
|          |            |                   | 10000~73853 M/Min      | 1 M/Min       |
|          |            | Yard/Min          | 0.10~999.99 Yard/Min   | 0.01 Yard/Min |
|          |            |                   | 1000.0~9999.9 Yard/Min | 0.1 Yard/Min  |
|          |            |                   | 10000~79683 Yard/Min   | 1 Yard/Min    |
|          |            | Feet/Min          | 0.10~999.99 Feet/Min   | 0.01 Feet/Min |
|          |            |                   | 1000.0~9999.9 Feet/Min | 0.1 Feet/Min  |
|          |            |                   | 10000~99999 Feet/Min   | 1 Feet/Min    |

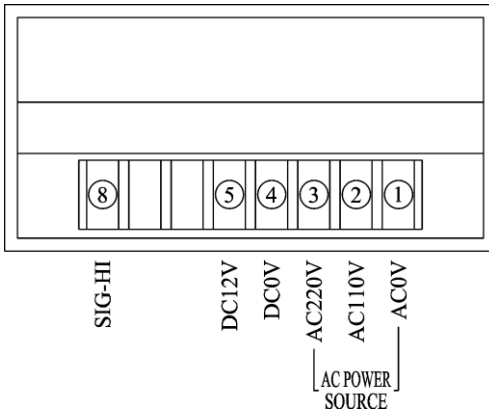
**SPECIFICATIONS(2):**

| PART NO. | DIGIT     | IN-PUT SIGNAL & INDICATE | UNIT   | RESOLUTION |
|----------|-----------|--------------------------|--------|------------|
| A41ACUSD | 3.5 Digit | OPTIONAL BY CUSTOMER     | M/Min  | -----      |
| A42ACUSD | ”         | ”                        | Y/Min  | -----      |
| A43ACUSD | ”         | ”                        | RPM    | -----      |
| A44ACUSD | ”         | ”                        | Ft/Min | -----      |
| A41BCUSD | 4.5 Digit | OPTIONAL BY CUSTOMER     | M/Min  | -----      |
| A42BCUSD | ”         | ”                        | Y/Min  | -----      |
| A43BCUSD | ”         | ”                        | RPM    | -----      |
| A44BCUSD | ”         | ”                        | Ft/Min | -----      |

**APPEARANCE:**



**TERMINAL & WIRING (BACK VIEW):**



**DIMENSIONS & PANEL CUT-OUT AREA (Unit: m/m.):**

