

JY-TECK G-TYPE ACCUMULATE COUNTER

FEATURES:

- * DIN24x48m/m., EASY TO IMPLEMENTATION OR MAINTENANCE.
- * BRIGHT LED DISPLAY FOR OBVIOUS READING.
- * HIGH SPEED SAMPLING RATE UP TO 5000 C.P.S.
- * SIGNAL DRIVEN BY OPEN/CLOSE LOOP.



APPLICATION:

- * PRESS.
- * PLASTIC EJECTOR.
- * PRINTER MACHINE.
- * OTHER INDUSTRIAL EQUIPMENTS.

GENERAL SPECIFICATIONS:

DISPLAY	0.36" HIGH RED LED DISPLAY.
COUNT RANGE	0~99999.
COUNT SPEED	LOW SPEED: 1~30 CPS. HIGH SPEED: 31~5000 CPS.
IN-PUT SIGNAL FORM	OPEN COLLECTOR (NPN) TYPE.
MEMORY RETENTION	E ² -PROM (UP TO 1000 HOURS).
OPERATING TEMPERATURE	0~50 °C.
OPERATING HUMIDITY	0~85 %.
POWER SOURCE	DC +4.75~+5.25V/120mA.
POWER CONSUMPTION	≤0.6 WATT.

SPECIFICATIONS:

PART. NO	RANGE	DIVIDER OF SIGNAL
G250AP0E	0~99999	1~65536

NOTE: DEVIDER OF SIGNAL IS OPTIONAL.

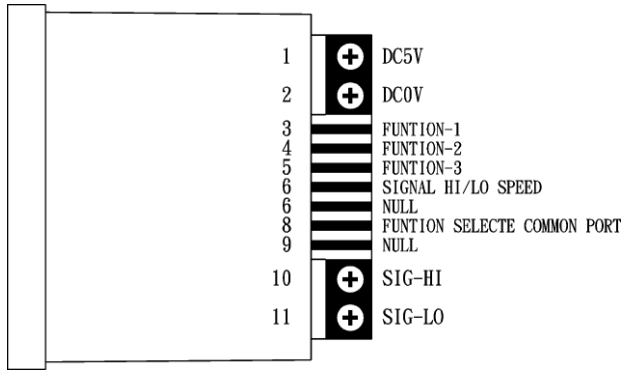
TERMINAL DEFINITIONS:

PIN NO	NAME	DESCRIPTIONS
1	+5V	DC POWER POSITIVE IN-PUT.
2	GND	DC POWER GROUND IN-PUT.
3	F.1	FUNTION-1.
4	F.2	FUNTION-2.
5	F.3	FUNTION-3.
6	F.4	SIGNAL HI/LO SPEED (LO-SPEED WHEN CONNECTE TO S.C.).
7	NULL	
8	F.C.	FUNTION COMMON PORT (SELECT FUNTION-1~4 FUNTION BY CONNECTING THIS PORT).
9	NULL	
10	IN-Hi	
11	IN-Lo	CONNECT TO SIGNAL IN-PUT.

APPEARANCE:

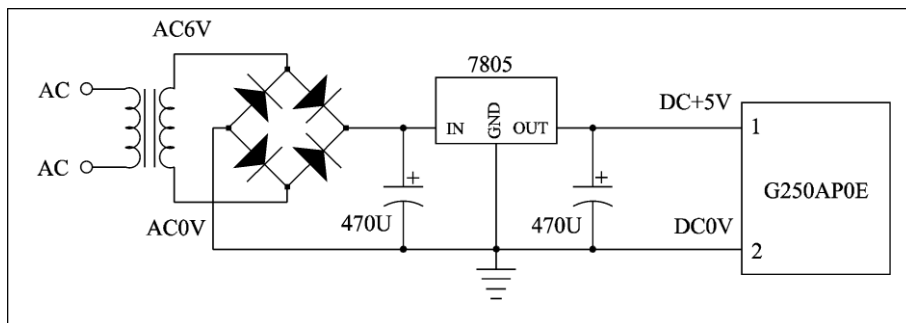


TERMINAL (TOP VIEW):



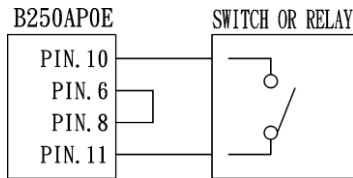
APPLICATION CIRCUIT:

1. POWER SUPPLY CIRCUIT:

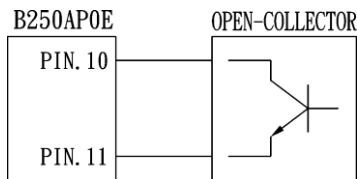


SIGNAL INPUT WIRING:

1. LOW SPEED SIGNAL:



2. HIGH SPEED SIGNAL:



DIMENSIONS & PANEL CUT-OUT AREA (Unit: m/m.):

