

JY-TECK B-TYPE DUAL COUNTER (TWO-SET) SERIES

FEATURES:

- * DIN 72x72mm., STANDARD SIZE, FOR EASY TO ASSEMBLY OR MAINTENANCE.
- * BRIGHT LED DISPLAY FOR OBVIOUS READING.
- * ADD ON PLASTIC COVER PROTECT THE METER FROM OIL/ WATER AND DUST.
- * SELECTABLE TOTALITY OR BATCH COUNT IN 2-ST COUNTER.
- * SIGNAL CAN BE DRIVEN BY PULSE OR OPEN/CLOSE LOOP.
- * PULSE INPUT CAN BE DRIVEN BY OPEN-COLLECTOR(NPN) OR OPEN EMITTER(PNP).
- * TERMINAL ARE SEPARATED BETWEEN POWER AND SIGNAL TO GET BEST REJECTION OF NOISE.



APPLICATION:

- * PRESS.
- * PLASTIC EJECTOR.
- * PRINTER MACHINE.
- * OTHER INDUSTRIAL EQUIPMENTS.

GENERAL SPECIFICATIONS:

DISPLAY	0.36" HIGH RED LED DISPLAY.
SIGNAL SPEED	LOW SPEED: 1~30 CPS (OPEN-CLOSE LOOP). HIGH SPEED: 31~3000 CPS (PULSE).
DIVIDER OF SIGNAL	1~256.
RESET MODES	N/R/C MODE SELECTABLE.
OUT-PUT TIME DELAY	0.1~999.9 SECOND.
RELAY CONTACT CAPACITY	AC250V/3A. AC125V/5A. DC30V/5A.
RELAY LIFE	UP TO 20000 TIMES..
MEMORY RETENTION	UP TO 1000 HOURS..
SENSOR POWER SOURCE	DC12V/30mA.
POWER SOURCE	AC110/220V±15%.50/60Hz.
POWER CONSUMPTION	≤ 3.0 WATT.
OPERATING TEMPERATURE	0~50°C.
OPERATING HUMIDITY	0~85%.

DIP-SWITCH SETTING:

SW1	COUNT SPEED
ON	3000 CPS
OFF	30 CPS

SW5	RESET MODE OF 2-nd COUNTER
ON	SAME WITH 1-st COUNTER
OFF	N-MODE

SW2	SW3	COUNTING MODE
ON	ON	UP COUNTER (IN-A/SINGAL IN-PUT)
OFF	OFF	DOWN COUNTER(IN-A/ SINGAL IN-PUT)
ON	OFF	A/B IN-PUT MODE COUNTER (IN-A IS FOR COUNT UP, IN-B IS FOR COUNT DOWN)
OFF	ON	90° PHASE SHIFT COUNTING

SW7	SENSOR TYPE
ON	OPEN COLLECTOR (NPN)
OFF	OPEN EMITTER (PNP)

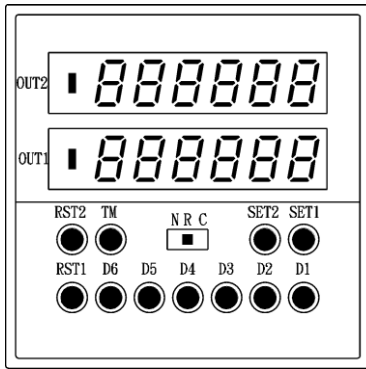
SW4	COUNT MEMORY
ON	YES
OFF	NO

- NOTE:** 1. AFTER SET UP THE DIP-SWITCH, MUST BE POWER OFF AND POWER ON AGAIN FOR MEMORY THE SETTING VALUE.
2. SW6 IS NON USED.

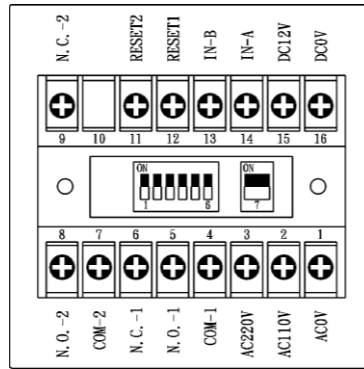
SPECIFICATIONS:

PART. NO	DIGIT	RANGE	SENSOR POWER
B2444P2D-T/B	4 DIGIT	1~9999x2 COUNTER	DC12V/30mA.
B2554P2D-T/B	5 DIGIT	1~99999x2 COUNTER	
B2664P2D-T/B	6 DIGIT	1~999999x2 COUNTER	

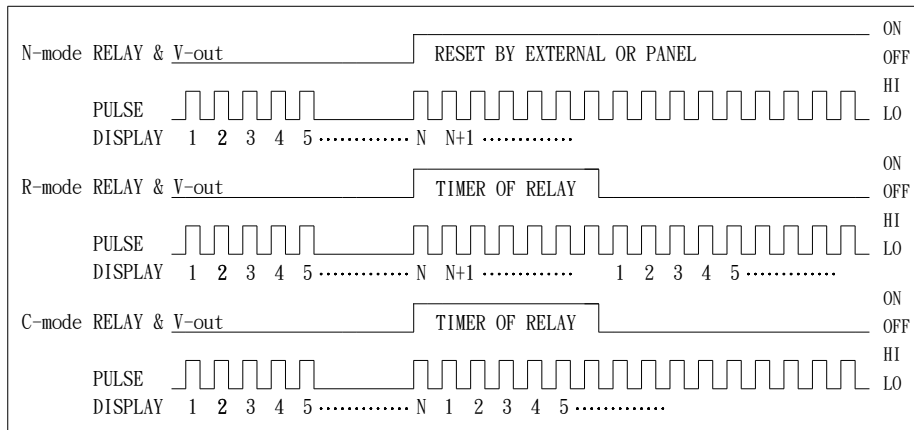
APPEARANCE:



TERMINAL & WIRING (BACK VIEW):



RESET & RELAY/V-out ACTIVE MAP(1-st COUNTER / UP-COUNT MODE):



SIGNAL INPUT WIRING:



DIMENSIONS & PANEL CUT-OUT AREA (Unit: m/m.):

