

# JY-TECK B-TYPE DUAL COUNTER (TOTAL/BATCH.ONE- PRESET) SERIES

## FEATURES:

- \* DIN 72x72mm., STANDARD SIZE, FOR EASY TO ASSEMBLY OR MAINTENANCE.
- \* ADD ON PLASTIC COVER PROTECT THE METER FROM OIL/ WATER AND DUST.
- \* BRIGHT LED DISPLAY FOR OBVIOUS READING.
- \* SELECTABLE TOTALITY OR BATCH COUNT IN 2-ST COUNTER.
- \* SIGNAL CAN BE DRIVEN BY PULSE OR OPEN/CLOSE LOOP.
- \* PULSE INPUT CAN BE DRIVEN BY OPEN-COLLECTOR(NPN) OR OPEN-EMITTER(PNP).
- \* TERMINAL ARE SEPARATED BETWEEN POWER AND SIGNAL TO GET BEST REJECTION OF NOISE.



## APPLICATION:

- \* PRESS.
- \* PLASTIC EJECTOR.
- \* PRINTER MACHINE.
- \* OTHER INDUSTRIAL EQUIPMENTS.

## GENERAL SPECIFICATIONS:

DISPLAY	0.36" HIGH RED LED DISPLAY.
SIGNAL SPEED	LOW SPEED: 1~30 CPS(OPEN-CLOSE LOOP). HIGH SPEED: 31~3000 CPS(PULSE).
DIVIDER OF SIGNAL	1~256.
RESET MODES	N/R/C MODE SELECTABLE.
OUT-PUT TIME DELAY	0.1~999.9 SECOND.
RELAY CONTACT CAPACITY	AC250V/3A. AC125V/5A. DC30V/5A.
RELAY LIFE	UP TO 20000 TIMES..
MEMORY RETENTION	UP TO 1000 HOURS..
SENSOR POWER SOURCE	DC12V/30mA.
OUT-PUT SIGNAL	DC12V/5mA.
POWER SOURCE	AC110/220V±15%.50/60Hz.
POWER CONSUMPTION	≤ 3.0 WATT.
OPERATING TEMPERATURE	0~50°C.
OPERATING HUMIDITY	0~85%.

## DIP-SWITCH SETTING:

SW1	COUNT SPEED
ON	3000 CPS
OFF	30 CPS

SW7	SENSOR TYPE
ON	OPEN COLLECTOR (NPN)
OFF	OPEN EMITTER (PNP)

SW2	SW3	COUNTING MODE
ON	ON	UP COUNTER (IN-A/SINGAL IN-PUT)
OFF	OFF	DOWN COUNTER(IN-A/ SINGAL IN-PUT)
ON	OFF	A/B IN-PUT MODE COUNTER (IN-A IS FOR COUNT UP, IN-B IS FOR COUNT DOWN)
OFF	ON	90° PHASE SHIFT COUNTING

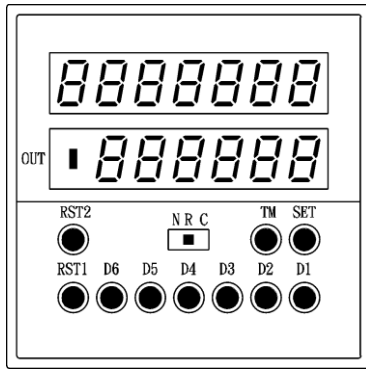
- NOTE:** 1. AFTER SET UP THE DIP-SWITCH, MUST BE POWER OFF AND POWER ON AGAIN FOR MEMORY THE SETTING VALUE.  
2. SW5&6 IS NON USED.

SW4	COUNT MEMORY
ON	YES
OFF	NO

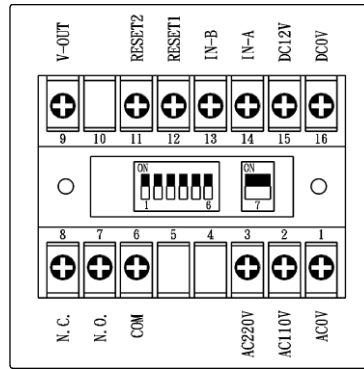
## SPECIFICATIONS:

PART. NO	DIGIT	RANGE	SENSOR POWER
B2454P1D	1-PRESET: 4 DIGIT	1~9999	DC12V/30mA.
	TOTAL/BATCH: 5 DIGIT	1~99999	
B2564P1D	1-PRESET: 5 DIGIT	1~99999	
	TOTAL/BATCH: 6 DIGIT	1~999999	
B2674P1D	1-PRESET: 6 DIGIT	1~999999	
	TOTAL/BATCH: 7 DIGIT	1~9999999	

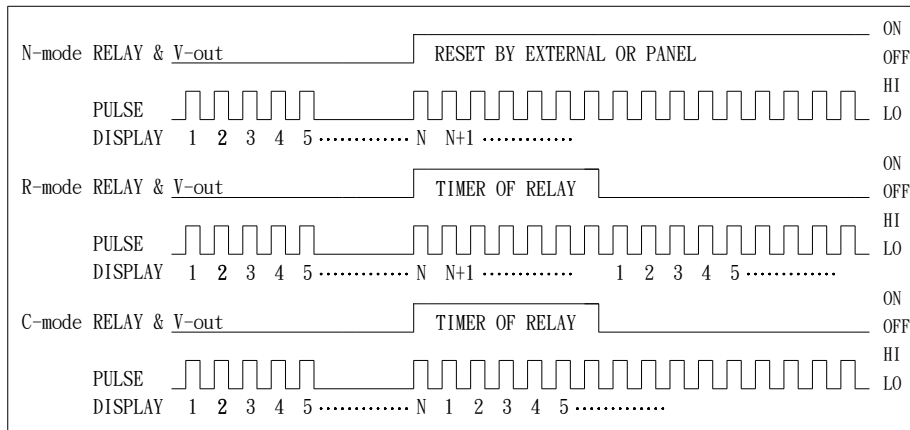
**APPEARANCE:**



**TERMINAL & WIRING (BACK VIEW):**



**RESET & RELAY/V-out ACTIVE MAP(UP-COUNT MODE):**



**SIGNAL INPUT WIRING:**



**DIMENSIONS & PANEL CUT-OUT AREA (Unit: m/m.):**

