

JY-TECK B-TYPE TOTALIZE/ONE-PRESET COUNTER SERIES

FEATURES:

- * DIN 72x72mm., STANDARD SIZE, FOR EASY TO ASSEMBLY OR MAINTENANCE.
- * ADD ON PLASTIC COVER PROTECT THE METER FROM OIL/ WATER AND DUST.
- * BRIGHT LED DISPLAY FOR OBVIOUS READING.
- * MINUS COUNTING NUMBER ACCESSABLE.
- * SELECTABLE SEQUENTLY UP/DOWN COUNT & RANDOM UP/DOWN COUNT.
- * SIGNAL CAN BE DRIVEN BY PULSE OR OPEN/CLOSE LOOP.
- * PULSE INPUT CAN BE DRIVEN BY OPEN-COLLECTOR(NPN) OR OPEN-EMITTER(PNP).
- * TERMINAL ARE SEPARATED BETWEEN POWER AND SIGNAL TO GET BEST REJECTION OF NOISE.



APPLICATION:

- * PRESS.
- * PRINTER MACHINE.
- * PLASTIC EJECTOR.
- * OTHER INDUSTRIAL EQUIPMENTS.



GENERAL SPECIFICATIONS:

DISPLAY	2~3 Digit: 0.56" HIGH RED LED DISPLAY. 4~6 Digit: 0.36" HIGH RED LED DISPLAY.
SIGNAL SPEED	LOW SPEED: 1~30 CPS (OPEN-CLOSE LOOP). HIGH SPEED: 31~3000 CPS (PULSE).
RESET MODES	N/R/C MODE SELECTABLE.
RELAY ACTION INDECAT	LED D1 LIGHTTING.
RELAY CONTACT CAPACITY	AC250V/3A. AC125V/5A. DC30V/5A.
RELAY LIFE	UP TO 20000 TIMES.
MEMORY RETENTION	E ² -PROM(UP TO 10 YEARS).
SENSOR POWER SOURCE	NONE PRESET TYPE: DC12V/60mA. 1-PRESET: .DC12V/30mA.
SENSOR POWER FAILURE	DISPLAY"12" AND FLASHING.
OUT-PUT SIGNAL	DC12V/5mA(1-PRESET).
POWER SOURCE	AC110/220V±15%.50/60Hz.
POWER CONSUMPTION	≤ 2.0 WATT.
OPERATING TEMPERATURE	0~50°C.
OPERATING HUMIDITY	0~85 %.

DIP-SWITCH SETTING:

SW1	COUNT SPEED
ON	3000 CPS
OFF	30 CPS

SW6	PANEL RESET ENABLE
ON	YES
OFF	NO

SW2	SW3	COUNTING MODE
ON	ON	UP COUNTER (IN-A/SINGAL IN- PUT)
OFF	OFF	DOWN COUNTER(IN-A/ SINGAL IN-PUT)
ON	OFF	A/B IN-PUT MODE COUNTER (IN-A IS FOR COUNT UP, IN-B IS FOR COUNT DOWN)
OFF	ON	90° PHASE SHIFT COUNTING

SW7	SENSOR TYPE
ON	OPEN COLLECTOR (NPN)
OFF	OPEN EMITTER (PNP)

SW5	COUNT MEMORY
ON	YES
OFF	NO

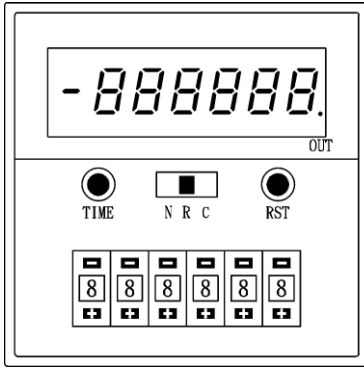
- NOTE:** 1. AFTER SET UP THE DIP-SWITCH,
MUST BE POWER OFF AND POWER ON AGAIN FOR MEMORY THE SETTING VALUE.
2. SW4 IS NON USED.

SPECIFICATIONS:

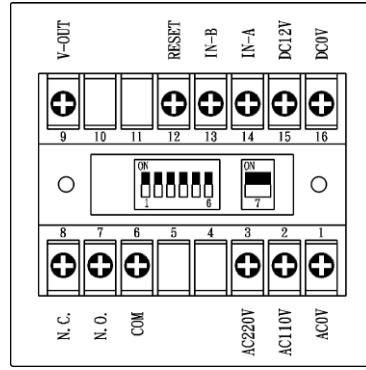
PART NO.	DIGIT	RANGE	PRESET
B2204P0D	2	-99~99	NONE
B2304P0D	3	-999~999	
B2404P0D	4	-9999~9999	
B2504P0D	5	-99999~99999	
B2604P0D	6	-999999~999999	

PART NO.	DIGIT	RANGE	PRESET
B2204P1D	2	-99~99	1-PRESET
B2304P1D	3	-999~999	
B2404P1D	4	-9999~9999	
B2504P1D	5	-99999~99999	
B2604P1D	6	-999999~999999	

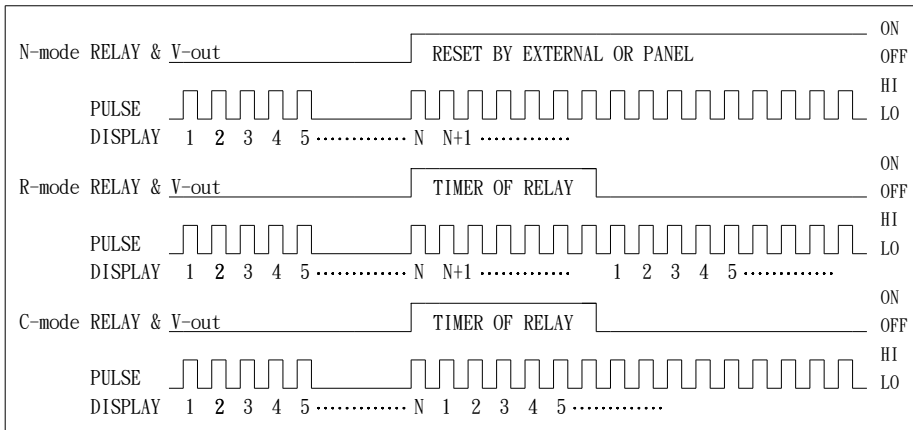
APPEARANCE:



TERMINAL & WIRING (BACK VIEW):



RESET & RELAY/V-out ACTIVE MAP(UP-COUNT MODE):



SIGNAL INPUT WIRING:



DIMENSIONS & PANEL CUT-OUT AREA (Unit: m/m.):

