

JY-TECK F-TYPE AC VOLTAGE METER SERIES

FEATURES:

- * 60x70mm., DIMENSION IS COMPATIBLE TO TRADITIONAL ANALOGY MEER (MODEL 660/670).
- * BRIGHT LED DISPLAY FOR OBVIOUS READING.
- * BUILT-IN QUARTZ TIME-BASE CIRCUIT.
- * LSI I.C. FOR STEADY INDICATION AND ACCURACY.
- * STABLE ZERO READING WITH ZERO SIGNAL IN-PUT ON ALL TYPE.
- * EXTERNAL ADJUSTABLE SPAN ON FRONT PANEL.



APPLICATIONS:

- * UPS / AVR.
- * GENERATOR.
- * INSTRUMENTS.
- * TEST TOOLS.
- * PRODUCTION TOOLS.
- * PRECISION MECHANIC EQUIPMENTS.



GENERAL SPECIFICATIONS:

SAMPLING RATE	3 TIMES / SECOND (F133-SERIES). 2.5 TIMES / SECOND (F134-SERIES).
TIME BASE	QUARZE CURCUIT.
ACCURACY	$\leq 0.1\% \pm 1$ Digit.
OVER-RANGE INDICATION	"1" OR "-1" SHOWING ON THE LEFT MOST DIGIT AND OTHER DIGITS ARE BLANK(F133-SERIES). DISPLAY "HHHHH" OR "LLLLL" AND FLASHING (F134-SERIES).
DISPLAY	0.56" HIGH RED LED DISPLAY.
POWER SOURCE	AC110 OR 220V $\pm 15\%$.50/60 Hz.
POWER CONSUMPTION	≤ 3.0 WATT.
OPERATING TEMPERATURE	0~50 °C.
OPERATING HUMIDITY	0~85 %.

SPECIFICATIONS:

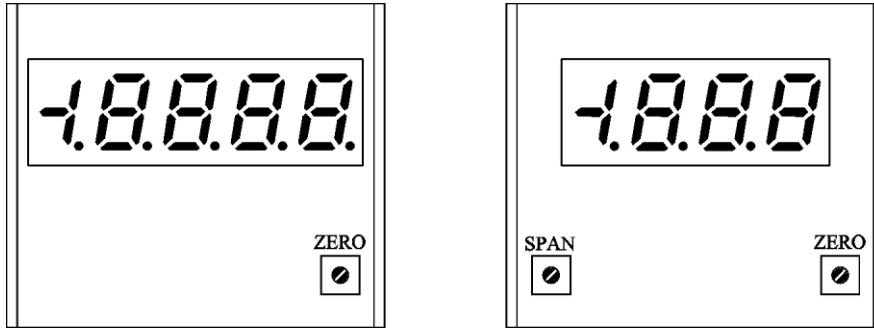
PART NO.	DIGIT	RANGE	RESOLUTION	IN-PUT IMPEDANCE	MAX. INPUT
F133A20X	3.5 DIGIT	0.01~19.99 mV/AC	0.01 mV/AC	100 Kilo ohm	2 V/AC
F133B10X	"	0.1~199.9 mV/AC	0.1 mV/AC	100 Kilo ohm	2 V/AC
F133C30X	"	0.001~1.999 V/AC	0.001 V/AC	100 Kilo ohm	5 V/AC
F133D20X	"	0.01~19.99 V/AC	0.01 V/AC	100 Kilo ohm	50 V/AC
F133E10X	"	0.1~199.9 V/AC	0.1 V/AC	1 Mega ohm	300 V/AC
F133F00X	"	1~1200 V/AC	1 V/AC	1 Mega ohm	1300 V/AC
F133CUSX	"	OPTIONAL BY CUSTOMER	-----	-----	-----
F134A30X	4.5 DIGIT	0.001~19.999 mV/AC	0.001 mV/AC	100 Kilo ohm	2 V/AC
F134B20X	"	0.01~199.99 mV/AC	0.01 mV/AC	100 Kilo ohm	2 V/AC
F134C40X	"	0.0001~1.9999 V/AC	0.0001 V/AC	100 Kilo ohm	5 V/AC
F134D30X	"	0.001~19.999 V/AC	0.001 V/AC	100 Kilo ohm	50 V/AC
F134E20X	"	0.01~199.99 V/AC	0.01 V/AC	2 Mega ohm	300 V/AC
F134F10X	"	0.1~1200.0 V/AC	0.1 V/AC	2 Mega ohm	1300 V/AC
F134CUSX	"	OPTIONAL BY CUSTOMER	-----	-----	-----

* WHERE "X" IN PART NO.:

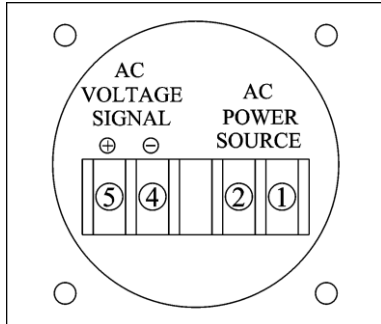
IF X=A MEANS POWER SOURCE = AC 110V $\pm 15\%$.50 / 60 Hz.

X=B MEANS POWER SOURCE = AC 220V $\pm 15\%$.50 / 60 Hz.

SPAN /ZERO ADJUST (UNDER PANEL COVER):



TERMINAL & WIRING (BACK VIEW):



DIMENSIONS & PANEL CUT-OUT AREA (Unit: m/m.):

