

JY-TECK F-TYPE DC CURRENT METER SERIES

FEATURES:

- * 60x70mm DIMENSION IS COMPATIBLE TO TRADITIONAL ANALOGY METER (MODEL 660/670).
- * AUTOMATIC IN-PUT SIGNAL POLARITY INDICATION.
- * BRIGHT LED DISPLAY FOR OBVIOUS READING.
- * BUILD-IN QUARTZ TIME-BASE CIRCUIT.
- * LSI I.C. FOR STEADY INDICATION AND ACCURACY.
- * DECIMAL POINT SELECTABLE ON FRONT PANEL.
- * STABLE ZERO READING WITH ZERO SIGNAL IN-PUT ON ALL TYPE .
- * EXTERNAL ADJUSTABLE SPAN ON FRONT PANEL.



APPLICATIONS:

- * INSTRUMENTS.
- * POWER SUPPLY.
- * PRODUCT MACHINE.



GENERAL SPECIFICATIONS:

SAMPLING RATE	3 TIMES / SECOND (F123-SERIES). 2.5 TIMES / SECOND (F124-SERIES).
TIME BASE	QUARTZ CIRCUIT.
ACCURACY	≤ 0.025% ± 1 Digit..
OVER-RANGE INDICATION	"1" OR "-1" SHOWING ON THE LEFT MOST DIGIT AND OTHER DIGITS ARE BLANK(F123-SERIES). DISPLAY "HHHHH" OR "LLLLL" AND FLASHING (F124-SERIES).
DISPLAY	0.56" HIGH RED LED DISPLAY.
POWER SOURCE	AC110 OR 220V ± 15% .50/60 Hz.
POWER CONSUMPTION	≤ 3.0 WATT.
OPERATING TEMPERATURE	0~50 °C.
OPERATING HUMIDITY	0~85 %.

SPECIFICATIONS:

PART NO.	DIGIT	RANGE	RESOLUTION	IN-PUT IMPEDANCE	MAX. INPUT
F123A20X	3.5 Digit	±0.01~19.99 mA/DC	0.01 mA/DC	10.0 Kilo ohm	50 mA/DC
F123B10X	"	±0.1~199.9 mA/DC	0.1 mA/DC	1.0 Kilo ohm	500 mA/DC
F123A30X	"	±0.001~1.999 A/DC	0.001 A/DC	0.1 Kilo ohm	3 A/DC
F123D20X	"	±0.01~10.00 A/DC	0.01 A/DC	0.01 Kilo ohm	12 A/DC
F124C30X	4.5 Digit	± 0.001~19.999 mA/DC	0.001 mA/DC	10.0 ohm	50 mA/DC
F124B20X	"	± 0.01~199.99 mA/DC	0.01 mA/DC	1.0 ohm	500 mA/DC
F124A40X	"	± 0.0001~1.9999 A/DC	0.0001 A/DC	0.1 ohm	3 A/DC
F124D30X	"	± 0.001~10.000 A/DC	0.001 A/DC	0.01 ohm	12 A/DC

* WHERE "X" IN PART NO.:

IF X=A MEANS POWER SOURCE = AC 110V ± 15%. 50 / 60 Hz.

X=B MEANS POWER SOURCE = AC 220V ± 15%. 50 / 60 Hz.

SPECIFICATIONS (APPLY WITH FOLLOWING SHUNT):

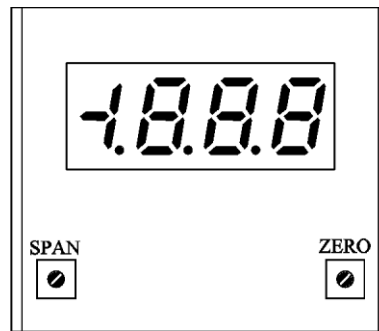
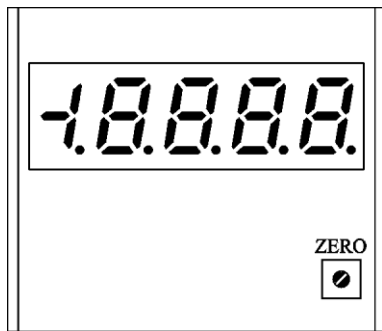
PART NO.	DIGIT	RANGE	RESOLUTION	SHUNT	MAX. INPUT
F123E10X	3.5 Digit	± 0.1~50.0 A/DC	0.1 A/DC	50A:50mV	100 mV/DC
F123F10X	"	± 0.1~100.0 A/DC	0.1 A/DC	100A:50mV	"
F123G10X	"	± 0.1~150.0 A/DC	0.1 A/DC	150A:50mV	"
F123H10X	"	± 0.1~199.9 A/DC	0.1 A/DC	200A:50mV	"
F123I00X	"	± 1~300 A/DC	1 A/DC	300A:50mV	"
F123J00X	"	± 1~500 A/DC	1 A/DC	500A:50mV	"
F123K00X	"	± 1~700 A/DC	1 A/DC	700A:50mV	"
F123L00X	"	± 1~1000 A/DC	1 A/DC	1000A:50mV	"
F123CUSX	"	OPTIONAL BY CUSTOMER	-----	-----	-----
F124E20X	4.5 Digit	± 0.01~50.00 A/DC	0.01 A/DC	50A:50mV	100 mV/DC
F124F20X	"	± 0.01~100.00 A/DC	0.01 A/DC	100A:50mV	"
F124G20X	"	± 0.01~150.00 A/DC	0.01 A/DC	150A:50mV	"
F124H20X	"	± 0.01~199.99 A/DC	0.01 A/DC	200A:50mV	"
F124I10X	"	± 0.1~300.0 A/DC	0.1 A/DC	300A:50mV	"
F124J10X	"	± 0.1~500.0 A/DC	0.1 A/DC	500A:50mV	"
F124K10X	"	± 0.1~700.0 A/DC	0.1 A/DC	700A:50mV	"
F124L10X	"	± 0.1~1000.0 A/DC	0.1 A/DC	1000A:50mV	"
F124CUSX	"	OPTIONAL BY CUSTOMER	-----	-----	-----

* WHERE "X" IN PART NO.:

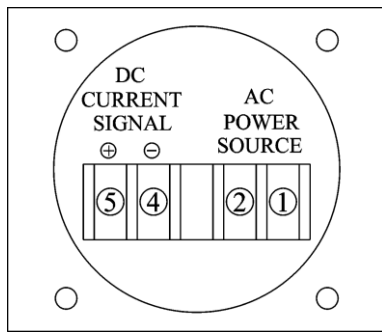
IF X=A MEANS POWER SOURCE = AC 110V ± 15%. 50 / 60 Hz.

X=B MEANS POWER SOURCE = AC 220V ± 15%. 50 / 60 Hz.

SPAN / ZERO ADJUST (UNDER PANEL COVER):



TERMINAL & WIRING (BACK VIEW):



DIMENSIONS & PANEL CUT-OUT AREA (Unit: m/m.):

