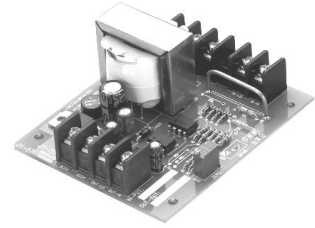


JY-TECK H-TYPE POWER/TRANSFORM BOARD

FEATURES:

- * MIN SIZE, LOW PRICE, CAN BE USED TOGETHER WITH C/G/I-TYPE VOLTAGE METER.
- * OUT-PUT SIGNAL POLARITY INDICATION.
- * DESIGN BY EXTERNAL ADJUSTABLE CIRCUIT ,OUT-PUT STABLE DC POWER



APPLICATIONS:

- * ELECTRONIC CIRCUIT
- * TEST TOOLS.
- * POWER SUPPLY/SIGNAL.

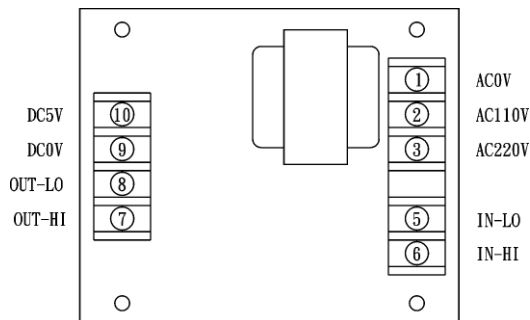
GENERAL SPECIFICATIONS:

OUT-PUT DC POWER	DC5V/160mA.
OUT-PUT DC SIGNAL	$\leq \pm 3.5V/DC$.
SIZE(m/m)	90.0(L) \times 75.0(W) \times 35.0(H)
POWER SOURCE	AC 110/220V \pm 15%.50/60Hz.
POWER CONSUMPTION	≤ 1.0 WATT.
OPERATING TEMPERATURE	0~50 $^{\circ}C$.
OPERATING HUMIDITY	0~85 %.

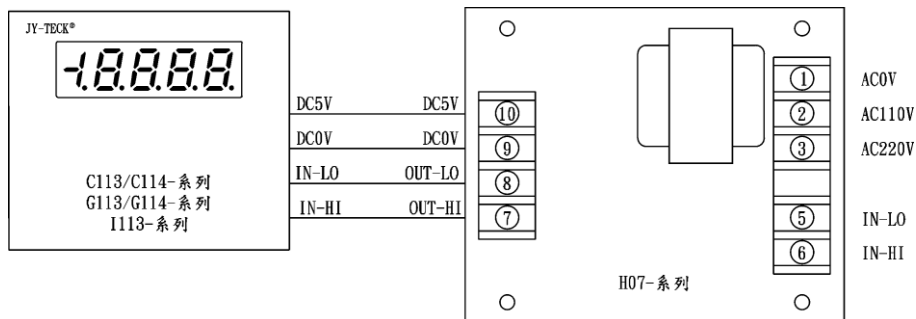
SPECIFICATIONS:

PART NO.	OUT-PUT POWER	SIGNAL TRANSFORM	SIGNAL TRANSFORM RANGE
H070CUSD	120mA/DC	DC VOLT/AMP: DOWN	OPTIONAL BY CUSTOMER
H071CUSD	120mA/DC	DC VOLT/AMP: UP	OPTIONAL BY CUSTOMER
H072CUSD	120mA/DC	AC VOLT/AMP: UP/DOWN	OPTIONAL BY CUSTOMER

TERMINAL (TOP VIEW):



SIGNAL IN-OUT WIRING:



DIMENSIONS (Unit: m/m.):

