

# JY-TECK K-TYPE ONE-PRESET COUNTER/TIMER SERIES

## FEATURES:

- \* DIN 48x48mm, STANDARD SIZE, FOR EASY TO ASSEMBLY OR MAINTENANCE.
- \* ADD ON PLASTIC COVER PROTECT THE METER FROM OIL/ WATER AND DUST.
- \* BRIGHT LED DISPLAY FOR OBVIOUS READING.
- \* BUILD-IN DUAL FUNCTIONS (4-DIGIT FOR COUNTER / 8-RANGE FOR TIMER).
- \* MANUAL CHANGING DIVIDING RATE OF INPUT SIGNAL IS ALLOWABLE, IT SIMPLIFY USER SETTING PROCEDURES.
- \* MANUAL CHANGING POSITION OF FLOATING POINT IS ALLOWABLE.
- \* BUILD-IN QUARTZ TIME-BASE CIRCUIT. TIMING/COUNTING ACCURACY.
- \* SELECTABLE UP-COUNT/DOWN-COUNT MODE.
- \* SIGNAL CAN BE DRIVEN BY PULSE OR OPEN/CLOSE LOOP.
- \* PULSE INPUT CAN BE DRIVEN BY OPEN-COLLECTOR(NPN) OR OPEN-EMITTER(PNP).
- \* TERMINAL ARE SEPARATED BETWEEN POWER AND SIGNAL TO GET BEST REJECTION OF NOISE.



## APPLICATION:

- \* PRESS.
- \* PLASTIC EJECTOR.
- \* PRINTER MACHINE.
- \* OTHER INDUSTRIAL EQUIPMENTS.

## GENERAL SPECIFICATIONS:

PART No.	K244AP1S.
DISPLAY	COUNT DISPLAY: 0.39" HIGH RED LED DISPLAY. SETTING DISPLAY: 0.36" HIGH GREEN LED DISPLAY.
IN-PUT SIGNAL TYPE	OPEN-COLLECTOR (NPN) / OPEN-EMITTER (PNP MODE SELECTABLE.).
SIGNAL SPEED (COUNTER)	LOW SPEED: 1~30 CPS (OPEN-CLOSE LOOP). HIGH SPEED: 31~5000 CPS (PULSE).
RESET MODES	N/R/C MODE SELECTABLE.
OPERATION DELAY AFTER POWER ON	0.1~99.9 SECOND.
RELAY ON/ACTIVITY DELAY TIME	0.1~99.9 SECOND.
OPERATION TIME OF RELAY SETTING	0.1~999.9 SECOND.
DELAY TIME OF RESET KEY	0.1~99.9 SECOND.
DELAY TIME OF SETTING KEY	2 SECOND.
INDICATION OF OUTPUT DELAY AFTER POWER ON	THE LOWER DISPLAY DECIMAL POINT LIGHT ON.
OUTPUT DELAY MODE INDICATION	OUT LED LAMP FLASHING.
OUTPUT MODE INDICATION	OUT LED LAMP LIGHT ON.
MEMORY RETENTION	E <sup>2</sup> PROM.
RELAY CONTACT CAPACITY	AC250V/1A.AC125V/0.5A.DC24V/0.5A.
RELAY LIFE	UP TO 20000 TIMES.
OUT-PUT SIGNAL	OPEN-COLLECTOR TYPE R (NPN).
SENSOR POWER SOURCE	DC12V/60mA.
POWER SOURCE	AC85~265V.50/60Hz.
POWER CONSUMPTION	≤ 2.5 WATT.
OPERATING TEMPERATURE	0~50°C.
OPERATING HUMIDITY	0~85 %.

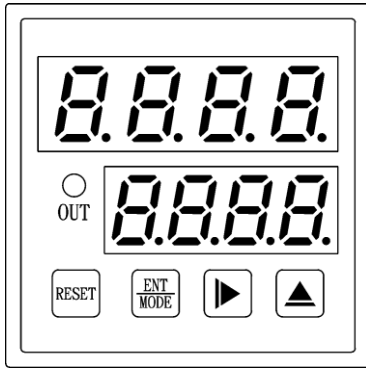
## SPECIFICATIONS OF COUNTER:

COUNTER RANGE	4 Digit.
DIVIDING RATE OF INPUT SIGNAL	0.01~99.99
FLOATING POINT SETTING	ANY POSITION.

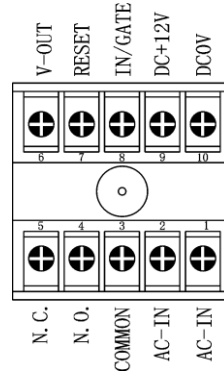
## SPECIFICATIONS OF TIMER:

RANGE SELECTABLE	A: 9.999 SECOND.	E: 99 MINUTE 59 SECOND.
	B: 99.99 SECOND.	F: 999.9 MINUTE.
	C: 999.9 SECOND.	G: 99HOUR 59 MINUTE.
	D: 9999 SECOND.	H: 999.9 HOUR.
GATE MODE INDICATION	D1 POINT FLASHING PERIODICALLY.	

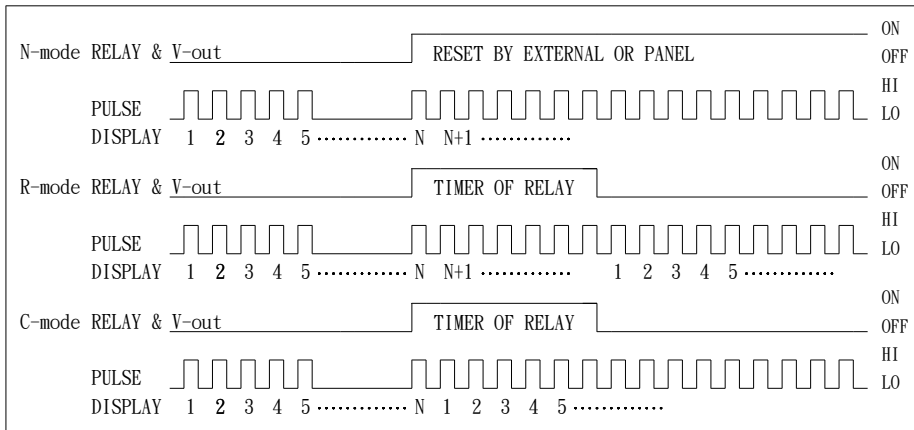
**APPEARANCE:**



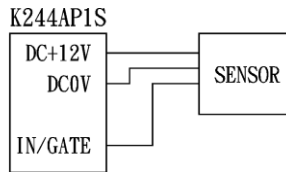
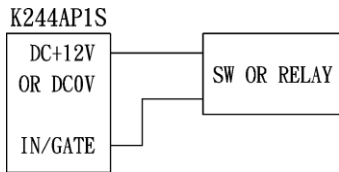
**TERMINAL & WIRING (BACK VIEW);**



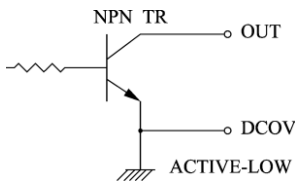
**RESET & RELAY/V-out ACTIVE MAP(UP-COUNT MODE):**



**SIGNAL INPUT WIRING:**



**OUT-PUT CURCUIT(OPEN-COLLECTOR):**



**DIMENSIONS & PANEL CUT-OUT AREA (Unit: m/m.):**

