

JY-TECK G-TYPE EXECUTION TIMER

FEATURES:

- * DIN24x48m/m., EASY TO IMPLEMENTATION OR MAINTENANCE.
- * BRIGHT LED DISPLAY FOR OBVIOUS READING.
- * BUILD-IN QUARTZ TIME-BASE.
- * DIGITAL CIRCUIT DESIGN, WITH HIGH PRECISION & HIGH STABILITY.



APPLICATION:

- * TEST TOOL.
- * GENERATOR.
- * INSTRUMENTS.
- * PLASTIC EJECTOR.
- * PRINTER MACHINE.
- * OTHER INDUSTRIAL EQUIPMENTS.

GENERAL SPECIFICATIONS:

DISPLAY	0.36" HIGH RED LED DISPLAY.
ACCURACY	≤ 50ppm.
TIME BASE	QUARTZ TIME-BASE.
MEMORY RETENTION	E ² -PROM (UP TO 1000 HOURS).
OPERATING TEMPERATURE	0~50 °C.
OPERATING HUMIDITY	0~85 %.
POWER SOURCE	DC +4.75~ + 5.25V/120mA.
POWER CONSUMPTION	≤ 0.6 WATT.

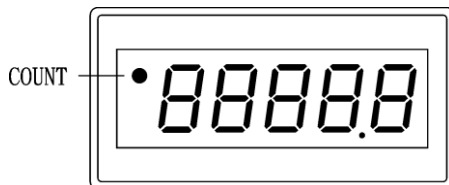
SPECIFICATIONS:

PART NO.	RANGE	RESOLUTION
G551AP0E	9999.9 HOUR	0.1 HOUR
G550BP0E	99999 HOUR	1 HOUR

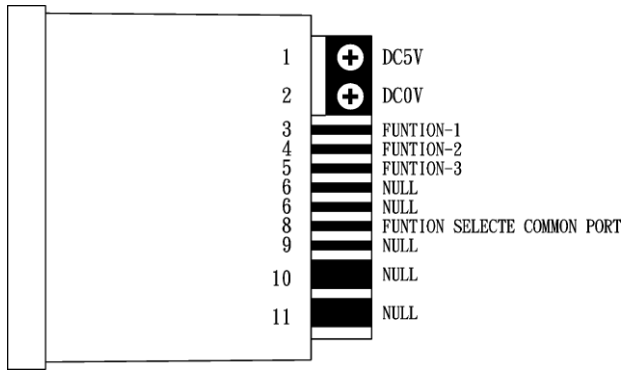
TERMINAL DEFINITIONS:

PIN NO	NAME	DESCRIPTIONS
1	+5V	DC POWER POSITIVE IN-PUT.
2	GND	DC POWER GROUND IN-PUT.
3	F.1	FUNTION-1.
4	F.2	FUNTION-2.
5	F.3	FUNTION-3.
6	NULL	
7	NULL	
8	F.C.	FUNTION COMMON PORT (SELECT FUNTION-1~.3 FUNTION BY CONNECTING THIS PORT).
9	NULL	
10	NULL	
11	NULL	

APPEARANCE:

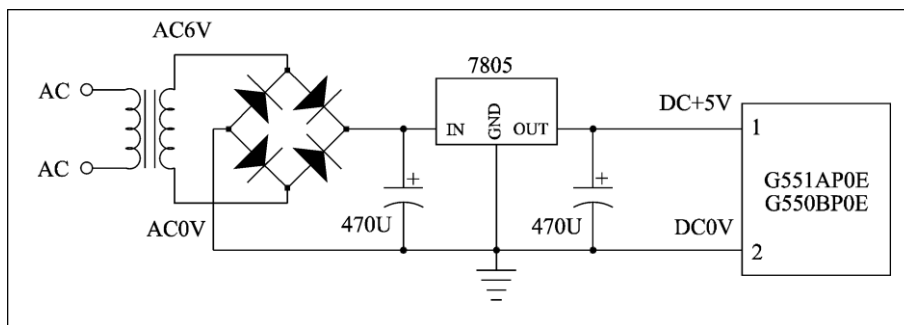


TERMINAL (TOP VIRW):



APPLICATION CIRCUIT:

1. POWER SUPPLY CIRCUIT:



DIMENSIONS & PANEL CUT-OUT AREA (Unit: m/m.):

