

# JY-TECK I-TYPE DC VOLTAGE METER SERIES

## FEATURES:

- \* 60x70mm DIMENSION, EASY TO ASSEMBLY OR MAINTENANCE.
- \* LOW COST.
- \* STABLE ZERO READING WITH ZERO SIGNAL IN-PUT ON ALL TYPE.
- \* AUTOMATIC IN-PUT SIGNAL POLARITY INDICATION.
- \* BRIGHT LED DISPLAY FOR OBVIOUS READING.
- \* BUILD-IN QUARTZ TIME-BASE CIRCUIT.
- \* LSI I.C. FOR STEADY INDICATION AND ACCURACY.



## APPLICATIONS:

- \* VOLTAGE METER.
- \* THERMAL METER.
- \* RATIO METER.
- \* CURRENT METER.

## GENERAL SPECIFICATIONS:

DISPLAY	0.56" HIGH RED LED DISPLAY.
TIME BASE	QUARTZ TIME-BASE CIRCUIT.
SAMPLING RATE	3 TIMES/SECOND.
ACCURACY	$\leq 0.025\% \pm 1$ Digit..
INPUT IMPEDANCE	$\geq 1.0$ Mega ohm.
OVER-RANGE INDICATION	"1" OR "-1" SHOWING ON THE LEFT MOST DIGIT AND OTHER DIGITS ARE BLANK.
OPERATING TEMPERATURE	0~50 °C.
OPERATING HUMIDITY	0~85 %.
POWER SOURCE	DC +4.75~ +5.25V/120mA.
POWER CONSUMPTION	$\leq 0.6$ WATT.

## SPECIFICATIONS:

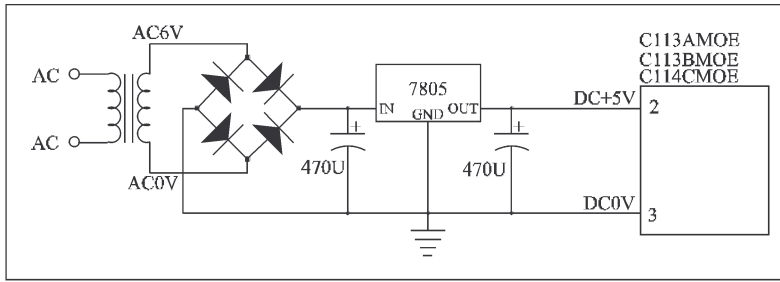
PART NO.	DIGIT	RANGE	RESOLUTION	CLOCK O/P
I113AM0E	3.5 Digit	$\pm 0.1 \sim 199.9$ mV/DC	0.1 mV/DC	40 KHz
I113BM0E	3.5 Digit	$\pm 0.001 \sim 1.999$ V/DV	0.001 V/DC	40 KHz

## TERMINAL DEFINITIONS:

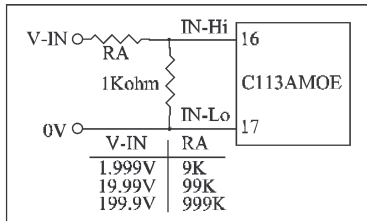
PIN NO.	NAME	DESCRIPTIONS
2	+5V	DC POWER POSITIVE IN-PUT.
3	GND	DC POWER GROUND IN-PUT.
5	D.S.	DECIMAL POINT SELECT.
7	DP4	* SELECT DIFFERENT DECIMAL POINT BY CONNECTING ONE OF DP1~DP4 TO D.S.
8	DP3	
9	DP2	
10	DP1	
13	CLOCK	INTERNAL CLOCK OUT-PUT (SEE SPECIFICATIONS).
14	LAMP TEST	THE DISPLAY WILL SHOW "-1888" IF CONNECTED +5V (I113-SERIES).
16	IN-Hi	CONNECT TO SIGNAL IN-PUT SOURCE.
17	IN-Lo	

\* 應用參考電路:

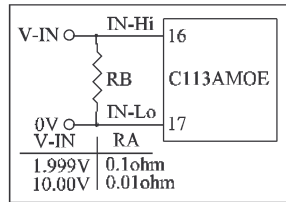
1. 電源電路:



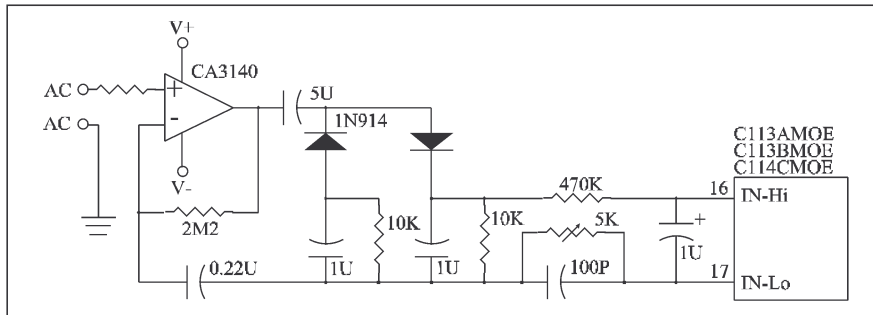
2. 直流電壓分壓電路:



3. 直流電流分流電路:



4. 交/直流訊號轉換電路:



\* 外型/螺絲孔尺寸圖 (單位: m/m):

