

JY-TECK F-TYPE DC VOLTAGE METER SERIES

FEATURES:

- * 60x70mm, DIMENSION IS COMPATIBLE TO TRADITIONAL ANALOGY MEER (MODEL 660/670).
- * AUTOMATIC IN-PUT SIGNAL POLARITY INDICATION.
- * BRIGHT LED DISPLAY FOR OBVIOUS READING.
- * BUILD-IN QUARTZ TIME-BASE CIRCUIT.
- * LSI I.C. FOR STEADY INDICATION AND ACCURACY.
- * STABLE ZERO READING WITH ZERO SIGNAL IN-PUT ON ALL TYPE.
- * EXTERNAL ADJUSTABLE SPAN ON FRONT PANEL.



APPLICATIONS:

- * UPS/AVR.
- * GENERATOR.
- * TEST TOOLS.
- * POWER SYSTEM.
- * ELECTRONIC INSTRUMENT.

GENERAL SPECIFICATIONS:

SAMPLING RATE	3 TIMES / SECOND (F113-SERIES). 2.5 TIMES / SECOND (F114-SERIES).
TIME BASE	40 KHz (F113-SERIES). 100 KHz (F114- SERIES).
ACCURACY	≤0.025% ± 1 Digit..
OVER-RANGE INDICATION	"1" OR "-1" SHOWING ON THE LEFT MOST DIGIT AND OTHER DIGITS ARE BLANK(F113-SERIES). DISPLAY "0000"AND FLASHING (F114-SERIES)
DISPLAY	0.56" HIGH RED LED DISPLAY.
POWER SOURCE	AC 110 IR 220V ± 15% , 50/60Hz.
POWER CONSUMPTION	≤2.0 WATT.
OPERATING TEMPERATURE	0~50 °C.
OPERATING HUMIDITY	0~85 %.

SPECIFICATIONS:

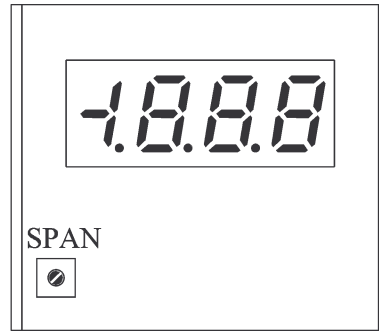
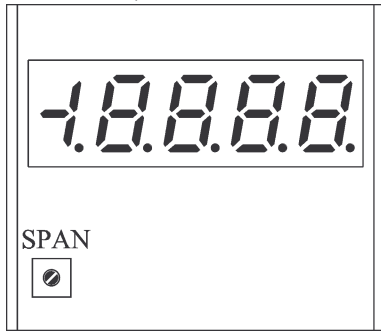
PART NO.	DIGIT	RANGE	RESOLUTION	IN-PUT IMPEDANCE	CLOCK O/P
F113A20X	3.5 DIGIT	±0.01~19.99 mV/DC	0.1 mV/DC	100 Kilo ohm	2 V/DC
F113B10X	"	±0.1~199.9 mV/DC	0.001 V/DC	100 Kilo ohm	5 V/DC
F113C30X	"	±0.001~1.999 V/DC	0.01 V/DC	100 Kilo ohm	50 V/DC
F113D20X	"	±0.01~19.99 V/DC	0.1 V/DC	1 Mega ohm	300 V/DC
F113E10X	"	±0.1~199.9 V/DC	1 V/DC	1 Mega ohm	1300 V/DC
F113F00X	"	±1~1200 V/DC			
F113CUSX	"	OPTIONAL BY CUSTOMER	-----	-----	-----
F114C40X	4.5 DIGIT	±0.0001~1.9999 V/DC	0.0001 V/DC	100 Kilo ohm	5 V/DC
F114D30X	"	±0.001~19.999 V/DC	0.001 V/DC	100 Kilo ohm	50 V/DC
F114E20X	"	±0.01~199.99 V/DC	0.01 V/DC	1 Mega ohm	300 V/DC
F114F00X	"	±0.1~1200.0 V/DC	0.1 V/DC	1 Mega ohm	1300 V/DC
F114CUSX	"	OPTIONAL BY CUSTOMER	-----	-----	-----

* WHERE "X" IN PART NO. :

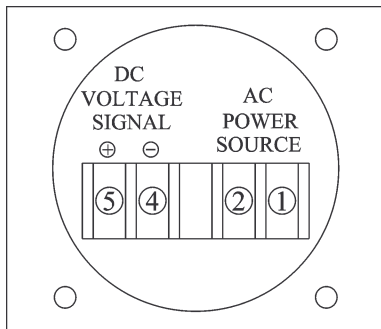
IF X=A MEANS POWER SOURCE = AC110V ± 15%.50/60Hz

IF X=B MEANS POWER SOURCE = AC220V ± 15%.50/60Hz

SPAN ADJUST (UNDER PANEL COVER):



TERMINAL & WIRING (BACK VIEW):



DIMENSIONS & PANEL CUT-OUT AREA (Unit: m/m.):

