

JY-TECK C-TYPE DC VOLTAGE METER SERIES

FEATURES:

- * 40x72mm, MINI SIZE PACKAGE.
- * STABLE ZERO READING WITH ZERO SIGNAL IN-PUT ON ALL TYPE.
- * AUTOMATIC IN-PUT SIGNAL POLARITY INDICATION.
- * BRIGHT LED DISPLAY FOR OBVIOUS READING.
- * BUILD-IN QUARTZ TIME-BASE CIRCUIT.
- * LSI I.C. FOR STEADY INDICATION AND ACCURACY.



APPLICATIONS:

- * VOLTAGE METER.
- * THERMAL METER.
- * RATIO METER.
- * CURRENT METER.

GENERAL SPECIFICATIONS:

SAMPLING RATE	3 TIMES / SECOND (C113-SERIES).
TIME BASE	40 KHz (C113-SERIES).
ACCURACY	$\leq 0.025\% \pm 1$ Digit.
INPUT IMPEDANCE	≥ 1.0 Mega ohm.
OVER-RANGE INDICATION	"1" OR "-1" SHOWING ON THE LEFT MOST DIGIT AND OTHER DIGITS ARE BLANK(C113-SERIES).
DISPLAY	0.56" HIGH RED LED DISPLAY.
POWER SOURCE	DC + 4.75~ + 5.25V/120mV.
POWER CONSUMPTION	≤ 0.6 WATT.
OPERATING TEMPERATURE	0~50 °C.
OPERATING HUMIDITY	0~85 %.

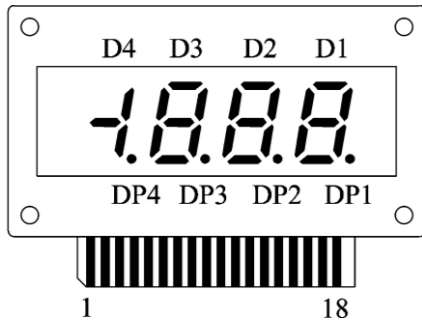
SPECIFICATIONS:

PART NO.	DIGIT	RANGE	RESOLUTION	CLOCK O/P
C113AM0E	3.5 Digit	$\pm 0.1\sim 199.9$ mV/DC	0.1 mV/DC	40 KHZ
C113BM0E	"	$\pm 0.001\sim 1.999$ V/DC	0.001 V/DC	40 KHZ

TERMINAL DEFINITIONS:

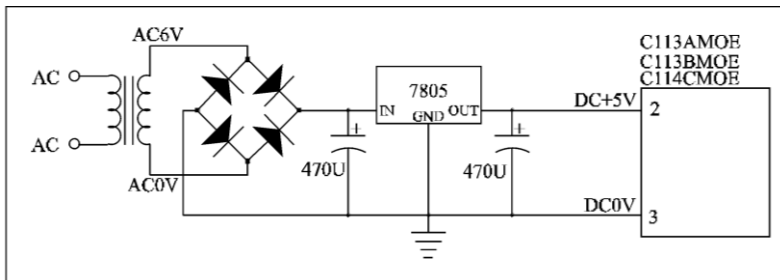
PIN NO.	NAME	DESCRIPTIONS
2	+5V	DC POWER POSITIVE IN-PUT.
3	GND	DC POWER GROUND IN-PUT.
5	D.S	DECIMAL POINT SELECT.
6	DP5	* SELECT DIFFERENT DECIMAL POINT BY CONNECTING ONE OF DP1~DP5 TO D.S.
7	DP4	* DP5 IS NULL IN C113-SERIES.
8	DP3	
9	DP2	
10	DP1	
13	CLOCK	INTERNAL CLOCK OUT-PUT (SEE SPECIFICATIONS).
14	LAMP TEST	THE DISPLAY WILL SHOW "1888" IF CONNECTED +5V (C113-SERIES).
16	IN-Hi	CONNECT TO SIGNAL IN-PUT SOURCE.
17	IN-Lo	

APPEARANCE:

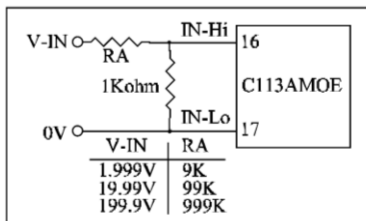


APPLICATION CIRCUIT:

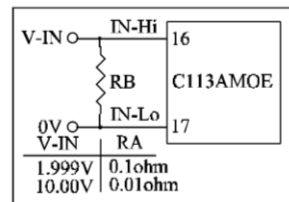
1. POWER SUPPLY CIRCUIT:



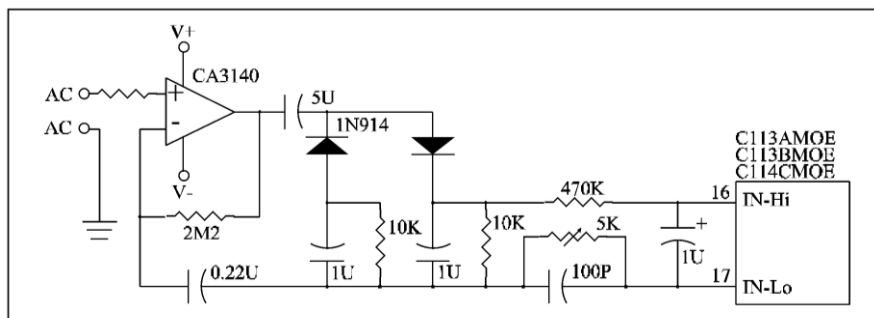
2. DC VOLTAGE CIRCUIT:



3. DC CURRENT CIRCUIT:



4. AC/DC CONVERTER:



DIMENSIONS & PANEL CUT-OUT AREA (Unit: m/m.):

